

# HINGES





## Olive Knuckle - Ball Bearing - Standard Weight Hinges

<i>Hinges are Handed and Priced as Eaches</i>		Standard	Distressed	ETERNA
19-5032	5.0" x 3.2" Olive Knuckle Hinge	190.51	231.16	247.66
19-6038	6.0" x 3.8" Olive Knuckle Hinge	203.22	248.93	266.72



## Olive Knuckle Pin Cover

<i>Priced as Eaches</i>		Standard	Distressed	ETERNA
19-5000	Olive Knuckle Pin Cover	58.05	71.13	76.21

## Olive Knuckle - Ball Bearing - Standard Weight Hinges

**Hinge Body:** Hinge body is manufactured of solid forged brass.

**Ball Bearings:** Each hinge is equipped with one precision machined anti-friction ball bearing assembly. The two races are machined from 300 series Stainless Steel. The balls are Stainless Steel as well. The bearing shell is machined from brass of the same alloy as the hinge body to ensure an accurate color match. The construction results in an extremely durable, long life ball bearing which is able to withstand years of hard use and corrosive environments. This bearing greatly increases both the lateral and vertical load bearing capability of the hinge and therefore increases hinge life.

**Finish:** Hinges are individually hand polished assuring an even finish with no unpolished areas. Von Morris Olive Knuckle hinges are available in over 30 standard finishes. Custom finishing is available. Please refer to the Price List.

**Pins:** Pins are machined from 300 Stainless Steel for high durability and resistance to rust. They are permanently installed in one half of the hinge. The exposed end is rounded to facilitate re-assembly.

**Fasteners:** All hinges are provided with type "A" tapping screws. These are solid brass, flat head, counter sunk, undercut phillips head screws. Screws are bagged eight per bag.

**Number of Hinges:** For doors up to 89 inches, use three hinges. For each additional 30 inches or fraction thereof, use one additional hinge.

**Packing:** Two hinges per box with screws. Each hinge is poly bagged to prevent scratching. Hinges are packed 15 boxes per master carton.

**Handing and Specifying :** These hinges are handed. Please be sure to specify hand of hinges when ordering. Olive Knuckle Hinges are priced and sold as eaches.

## Olive Knuckle - Ball Bearing - Standard Weight - Solid Forged Brass



19-5032  
19-6038

Part Number	Length of Joint	Width Open	Gauge of Metal	Screw Size	Screws Hinge	Packing per Box	Weight per Box	Knuckle Size
19-5032	5.0"	3.250"	0.169"	12 x 1.25"	8	2 pcs	1.6 lbs	2.60"H x 0.93"D
19-6038	6.0"	3.875"	0.203"	12 x 1.25"	8	2 pcs	2.0 lbs	2.60"H x 0.93"D

- Solid Forged Brass
- **Olive Knuckle Hinges are priced and sold as eaches.**
- Equipped with one precision machined, anti-friction bearing assembly per hinge.
- Ball bearings are machined from 300 series Stainless Steel and employ Stainless Steel balls.
- All pins are precision machined from 300 series Stainless Steel.
- **All Olive Knuckle Hinges are handed.** Be sure to specify hand of hinge when ordering.
- Custom open widths available upon request.

## Solid Brass Olive Knuckle Pin Cover



19-5000

- Olive Knuckle Pin Cover



## Olive Knuckle - Ball Bearing - Heavy Weight Hinges

<i>Hinges are Handed and Priced as Eaches</i>		Standard	Distressed	ETERNA
19-6040	6.0" x 4.0" Olive Knuckle Hinge	228.62	284.50	298.47
19-6045	6.0" x 4.5" Olive Knuckle Hinge	241.31	302.27	317.52
19-6050	6.0" x 5.0" Olive Knuckle Hinge	254.02	320.06	336.57



## Olive Knuckle Pin Cover

<i>Priced as Eaches</i>		Standard	Distressed	ETERNA
19-6000	Olive Knuckle Pin Cover	58.05	71.13	76.21

## Olive Knuckle - Ball Bearing - Heavy Weight Hinges

**Hinge Body:** Hinge body is manufactured of solid forged brass.

**Ball Bearings:** Each hinge is equipped with one precision machined anti-friction ball bearing assembly. The two races are machined from 300 series Stainless Steel. The balls are Stainless Steel as well. The bearing shell is machined from brass of the same alloy as the hinge body to ensure an accurate color match. The construction results in an extremely durable, long life ball bearing which is able to withstand years of hard use and corrosive environments. This bearing greatly increases both the lateral and vertical load bearing capability of the hinge and therefore increases hinge life.

**Finish:** Hinges are individually hand polished assuring an even finish with no unpolished areas. Von Morris Olive Knuckle hinges are available in over 30 standard finishes. Custom finishing is available. Please refer to the Price List.

**Pins:** Pins are machined from 300 Stainless Steel for high durability and resistance to rust. They are permanently installed in one half of the hinge. The exposed end is rounded to facilitate re-assembly.

**Fasteners:** All hinges are provided with type "A" tapping screws. These are solid brass, flat head, counter sunk, undercut phillips head screws. Screws are bagged eight per bag.

**Number of Hinges:** For doors up to 89 inches, use three hinges. For each additional 30 inches or fraction thereof, use one additional hinge.

**Packing:** Two hinges per box with screws. Each hinge is poly bagged to prevent scratching. Hinges are packed 15 boxes per master carton.

**Handing and Specifying:** These hinges are handed. Please be sure to specify hand of hinges when ordering. Olive Knuckle Hinges are priced and sold as eaches.

## Olive Knuckle - Ball Bearing - Heavy Weight - Solid Forged Brass



19-6040  
19-6045  
19-6050

Part Number	Length of Joint	Width Open	Gauge of Metal	Screw Size	Screws Hinge	Packing per Box	Weight per Box	Knuckle Size
19-6040	6.0"	4.0"	0.255"	12 x 1.25"	8	2 pcs	1.2 lbs	2.60"H x 0.93"D
19-6045	6.0"	4.5"	0.255"	12 x 1.25"	8	2 pcs	1.3 lbs	2.60"H x 0.93"D
19-6050	6.0"	5.0"	0.255"	12 x 1.25"	8	2 pcs	1.4 lbs	2.60"H x 0.93"D

- Solid Forged Brass
- **Olive Knuckle Hinges are priced and sold as eaches.**
- Equipped with one precision machined, anti-friction bearing assembly per hinge.
- Ball bearings are machined from 300 series Stainless Steel and employ Stainless Steel balls.
- All pins are precision machined from 300 series Stainless Steel.
- **All Olive Knuckle Hinges are handed.** Be sure to specify hand of hinge when ordering.
- Custom open widths available upon request.

## Solid Brass Olive Knuckle Pin Cover



19-6000

- Olive Knuckle Pin Cover

## Decorative Olive Knuckle Rings

		Standard	Distressed	ETERNA
HIN-224	Beaded Olive Knuckle Ring	95.00	109.00	129.00
HIN-225	Straght Knurl OK Hinge Ring	55.00	63.25	74.25
HIN-226	Diamond Knurl OK Hinge Ring	55.00	63.25	74.25
HIN-227	Double Cove OK Hinge Ring	45.00	51.75	60.75
HIN-228	Domed OK Hinge Ring	45.00	51.75	60.75
HIN-229	Hand Chiseled OK Hinge Ring	105.00	120.75	141.75
HIN-230	Weave OK Hinge Ring	105.00	120.75	141.75



HIN-224



HIN-225



HIN-226



HIN-227



HIN-228



HIN-229



HIN-230

All Prices in US Dollars - Prices Subject to Change Without Notice  
Please Check with Customer Service for Up to Date Pricing.

## Olive Knuckle Decorative Trim Rings

HIN-224	Beaded Olive Knuckle Ring
HIN-225	Straght Knurl OK Hinge Ring
HIN-226	Diamond Knurl OK Hinge Ring
HIN-227	Double Cove OK Hinge Ring
HIN-228	Domed OK Hinge Ring
HIN-229	Hand Chiseled OK Hinge Ring
HIN-230	Weave OK Hinge Ring



HIN-224



HIN-225



HIN-226



HIN-227



HIN-228



HIN-229



HIN-230

- Machined from Solid Brass Bar Stock
- **Decorative Olive Knuckle Trim Rings are priced as eaches and do not include the Olive Knuckle Hinge.**
- Decorative Trim Rings fit the following size hinges: 19-5032, 19-6038, 19-6040, 19-6045 and 19-6050.
- Decorative Trim Rings fit hinges manufactured after 2018. They are not compatible with earlier product.



## Olive Knuckle - Concealed Ball Bearing - Heavy Weight Hinges

*Hinges are Handed and Priced as Eaches*

		Standard	Distressed	ETERNA
19-7055	7.0" x 5.5" Olive Knuckle Hing	468.34	524.54	562.01



## Olive Knuckle Pin Cover

*Priced as Eaches*

		Standard	Distressed	ETERNA
19-7000	Olive Knuckle Pin Cover	87.32	97.80	104.75

### Olive Knuckle - Concealed Ball Bearing - Heavy Weight - Solid Forged Brass

**Hinge Body:** Hinge body is manufactured of solid forged brass.

**Ball Bearings:** Each hinge is equipped with one precision machined anti-friction ball bearing assembly. The two races are machined from 300 series Stainless Steel. The balls are Stainless Steel as well. The bearing shell is machined from brass of the same alloy as the hinge body to ensure an accurate color match. The construction results in an extremely durable, long life ball bearing which is able to withstand years of hard use and corrosive environments. This bearing greatly increases both the lateral and vertical load bearing capability of the hinge and therefore increases hinge life.

**Finish:** Hinges are individually hand polished assuring an even finish with no unpolished areas. Von Morris Olive Knuckle hinges are available in over 30 standard finishes. Custom finishing is available. Please refer to the Price List.

**Pins:** Pins are machined from 300 Stainless Steel for high durability and resistance to rust. They are permanently installed in one half of the hinge. The exposed end is rounded to facilitate re-assembly.

**Fasteners:** All hinges are provided with type "A" tapping screws. These are solid brass, flat head, counter sunk, undercut phillips head screws. Screws are bagged eight per bag.

**Number of Hinges:** For doors up to 89 inches, use three hinges. For each additional 30 inches or fraction thereof, use one additional hinge.

**Packing:** Two hinges per box with screws. Each hinge is poly bagged to prevent scratching. Hinges are packed 15 boxes per master carton.

**Handing and Specifying:** These hinges are handed. Please be sure to specify hand of hinges when ordering. Olive Knuckle Hinges are priced and sold as eaches.



## Olive Knuckle - Concealed Ball Bearing - Heavy Weight - Solid Forged Brass



19-7055

Part Number	Length of Joint	Width Open	Gauge of Metal	Screw Size	Screws Hinge	Packing per Box	Weight per Box	Knuckle Size
19-7055	7.00"	5.50"	0.310"	12 x 1.25"	10	2 pcs	5.0 lbs	3.00"H x 1.32"D

- Solid Forged Brass
- **Olive Knuckle Hinges are priced and sold as eaches.**
- Equipped with one precision machined, anti-friction bearing assembly per hinge.
- Ball bearings are machined from 300 series Stainless Steel and employ Stainless Steel balls.
- All pins are precision machined from 300 series Stainless Steel.
- **All Olive Knuckle Hinges are handed.** Be sure to specify hand of hinge when ordering.
- Custom open widths available upon request.
- Minimum door thickness 2.25".
- Installation: Centered on edge of door; knuckle 1/4" off face of door.

## Solid Brass Olive Knuckle Pin Cover



19-7000

- Olive Knuckle Pin Cover



## Moorestown Olive Knuckle - Ball Bearing - Standard Weight Hinges

<i>Hinges are Handed and Priced as Eaches</i>		Standard	Distressed	ETERNA
20-5032	5.0" x 3.2" Olive Knuckle Hinge	238.14	288.95	309.58
20-6038	6.0" x 3.8" Olive Knuckle Hinge	254.03	311.17	333.41

## Moorestown Olive Knuckle - Ball Bearing - Standard Weight Hinges

**Hinge Body:** Hinge body is manufactured of solid forged brass.

**Ball Bearings:** Each hinge is equipped with one precision machined anti-friction ball bearing assembly. The two races are machined from 300 series Stainless Steel. The balls are Stainless Steel as well. The bearing shell is machined from brass of the same alloy as the hinge body to ensure an accurate color match. The construction results in an extremely durable, long life ball bearing which is able to withstand years of hard use and corrosive environments. This bearing greatly increases both the lateral and vertical load bearing capability of the hinge and therefore increases hinge life.

**Finish:** Hinges are individually hand polished assuring an even finish with no unpolished areas. Von Morris Olive Knuckle hinges are available in over 30 standard finishes. Custom finishing is available. Please refer to the Price List.

**Pins:** Pins are machined from 300 Stainless Steel for high durability and resistance to rust. They are permanently installed in one half of the hinge. The exposed end is rounded to facilitate re-assembly.

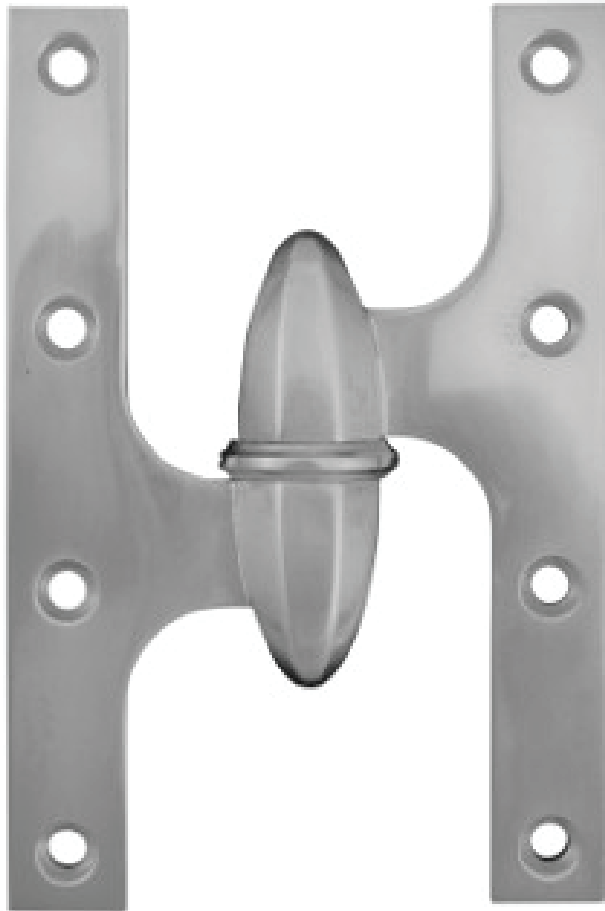
**Fasteners:** All hinges are provided with type "A" tapping screws. These are solid brass, flat head, counter sunk, undercut phillips head screws. Screws are bagged eight per bag.

**Number of Hinges:** For doors up to 89 inches, use three hinges. For each additional 30 inches or fraction thereof, use one additional hinge.

**Packing:** Two hinges per box with screws. Each hinge is poly bagged to prevent scratching. Hinges are packed 15 boxes per master carton.

**Handing and Specifying :** These hinges are handed. Please be sure to specify hand of hinges when ordering. Olive Knuckle Hinges are priced and sold as eaches.

Moorestown Olive Knuckle - Ball Bearing - Standard Weight - Solid Forged Brass



20-5032  
20-6038

Part Number	Length of Joint	Width Open	Gauge of Metal	Screw Size	Screws Hinge	Packing per Box	Weight per Box	Knuckle Size
20-5032	5.0"	3.250"	0.169"	12 x 1.25"	8	2 pcs	1.6 lbs	2.60"H x 0.93"D
20-6038	6.0"	3.875"	0.203"	12 x 1.25"	8	2 pcs	2.0 lbs	2.60"H x 0.93"D

- Solid Forged Brass
- **Olive Knuckle Hinges are priced and sold as eaches.**
- Equipped with one precision machined, anti-friction bearing assembly per hinge.
- Ball bearings are machined from 300 series Stainless Steel and employ Stainless Steel balls.
- All pins are precision machined from 300 series Stainless Steel.
- **All Olive Knuckle Hinges are handed.** Be sure to specify hand of hinge when ordering.
- Custom open widths available upon request.
- Minimum door thickness 2.25".
- Installation: Centered on edge of door; knuckle 1/4" off face of door.



## Moorestown Olive Knuckle - Ball Bearing - Heavy Weight Hinges

<i>Hinges are Handed and Priced as Eaches</i>		Standard	Distressed	ETERNA
20-6040	6.0" x 4.0" Olive Knuckle Hinge	285.77	355.62	373.10
20-6045	6.0" x 4.5" Olive Knuckle Hinge	301.64	377.85	396.90
20-6050	6.0" x 5.0" Olive Knuckle Hinge	317.31	400.08	420.71

## Moorestown Olive Knuckle - Ball Bearing - Heavy Weight Hinges

**Hinge Body:** Hinge body is manufactured of solid brass.

**Ball Bearings:** Each hinge is equipped with one precision machined anti-friction ball bearing assembly. The two races are machined from 300 series Stainless Steel. The balls are Stainless Steel as well. The bearing shell is machined from brass of the same alloy as the hinge body to ensure an accurate color match. The construction results in an extremely durable, long life ball bearing which is able to withstand years of hard use and corrosive environments. This bearing greatly increases both the lateral and vertical load bearing capability of the hinge and therefore increases hinge life.

**Finish:** Hinges are individually hand polished assuring an even finish with no unpolished areas. Von Morris Olive Knuckle hinges are available in over 30 standard finishes. Custom finishing is available. Please refer to the Price List.

**Pins:** Pins are machined from 300 Stainless Steel for high durability and resistance to rust. They are permanently installed in one half of the hinge. The exposed end is rounded to facilitate re-assembly.

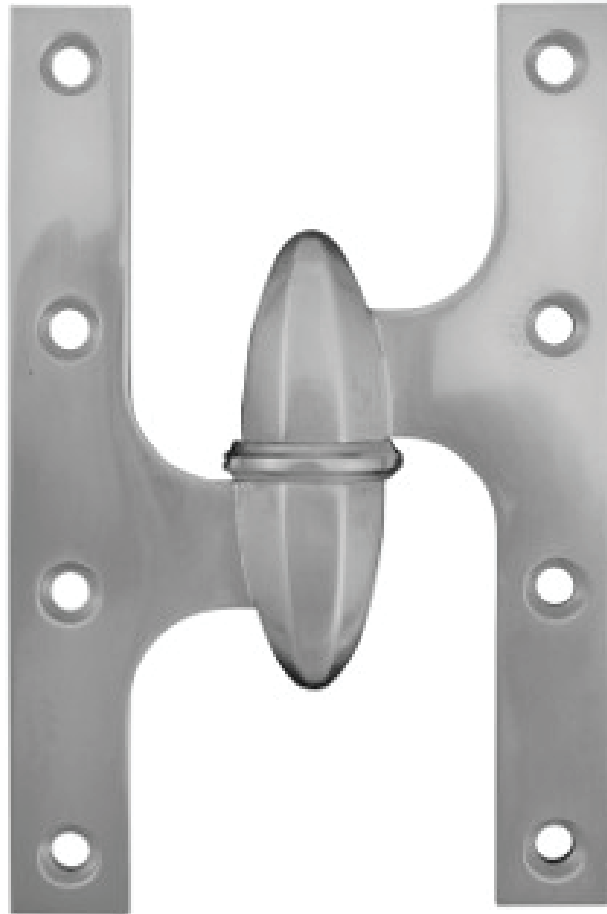
**Fasteners:** All hinges are provided with type "A" tapping screws. These are solid brass, flat head, counter sunk, undercut phillips head screws. Screws are bagged eight per bag.

**Number of Hinges:** For doors up to 89 inches, use three hinges. For each additional 30 inches or fraction thereof, use one additional hinge.

**Packing:** Two hinges per box with screws. Each hinge is poly bagged to prevent scratching. Hinges are packed 15 boxes per master carton.

**Handing and Specifying:** These hinges are handed. Please be sure to specify hand of hinges when ordering. Olive Knuckle Hinges are priced and sold as eaches.

## Moorestown Olive Knuckle - Ball Bearing - Heavy Weight - Solid Brass



20-6040  
20-6045  
20-6050

Part Number	Length of Joint	Width Open	Guage of Metal	Screw Size	Screws Hinge	Packing per Box	Weight per Box	Knuckle Size
20-6040	6.0"	4.0"	0.255"	12 x 1.25"	8	2 pcs	1.2 lbs	2.60"H x 0.93"D
20-6045	6.0"	4.5"	0.255"	12 x 1.25"	8	2 pcs	1.3 lbs	2.60"H x 0.93"D
20-6050	6.0"	5.0"	0.255"	12 x 1.25"	8	2 pcs	1.4 lbs	2.60"H x 0.93"D

- Solid Brass
- **Olive Knuckle Hinges are priced and sold as eaches.**
- Equipped with one precision machined, anti-friction bearing assembly per hinge.
- Ball bearings are machined from 300 series Stainless Steel and employ Stainless Steel balls.
- All pins are precision machined from 300 series Stainless Steel.
- **All Olive Knuckle Hinges are handed.** Be sure to specify hand of hinge when ordering.
- Custom open widths available upon request.
- Minimum door thickness 2.25".
- Installation: Centered on edge of door; knuckle 1/4" off face of door.

## Art Deco - Plain Bearing - Lift Off - Standard Weight

	<i>Handed and Priced as Eaches</i>	Standard	Distressed	ETERNA
HIN-198	3.5" x 4.0" Art Deco Lift Off Hinge	120.00	132.00	144.00
HIN-199	4.0" x 4.5" Art Deco Lift Off Hinge	135.00	148.00	160.00
HIN-200	4.5" x 5.0" Art Deco Lift Off Hinge	146.00	160.00	175.00



## Art Deco Two Knuckle - Plain Bearing - Lift Off - Standard Weight

**Hinge Body:** Hinge body is manufactured from CDA alloy 38500 brass. It is machined from an extruded bar, resulting in a hinge with high strength and precision tolerances.

**Knuckle Covers:** Knuckle covers are CNC machined from brass bar stock and affixed to the hinge body with stainless steel concealed screws.

**Finish:** Hinges are individually hand polished assuring an even finish with no unpolished areas. Von Morris extruded hinges are available in over 30 standard finishes. Custom finishing is available. Please refer to the Price List.

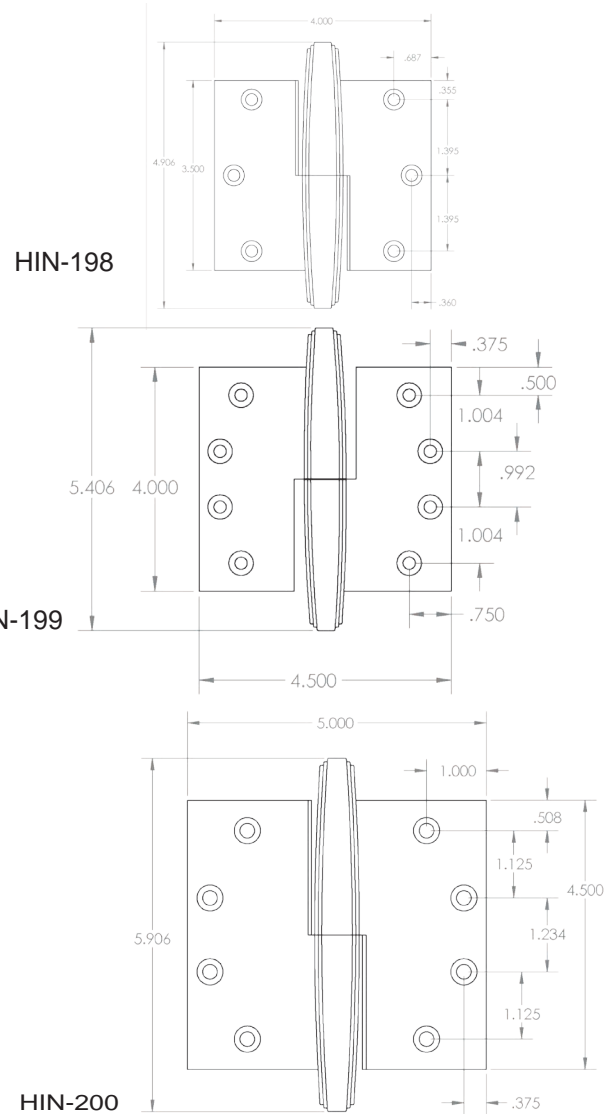
**Pins:** Pins are machined from 304 Stainless Steel for high durability and resistance to rust. The exposed end is rounded to facilitate re-assembly, while the other end is permanently affixed to the bottom leaf.

**Fasteners:** All hinges are provided with type "A" tapping screws. These are solid brass, flat head, counter sunk, undercut phillips head screws. All screws are lacquered to prevent tarnishing. Screws are bagged either six per bag or eight per bag to facilitate sales of single hinges.  
#12 machine screws available upon request.

**Number of Hinges:** For doors up to 89 inches, use three hinges. For each additional 30 inches or fraction thereof, use one additional hinge.

**Packing:** Two hinges per box with screws and button finials. Each hinge is poly bagged to prevent scratching. Hinges are packed 20 boxes per master carton.

## Art Deco • Plain Bearing • Lift Off • Standard Weight



Part Number	Height of Leaf	Width of Hinge	Leaf Thickness	Length of Knuckle	Screw Size	Number of Screws per hinge	Hinges per Box	Weight per Box
HIN-198	3.5"	4.0"	0.130"	4.906"	10 x 1.00"	6	2 pieces	1.3 lbs
HIN-199	4.0"	4.5"	0.134"	5.910"	12 x 1.25"	8	2 pieces	2.2 lbs
HIN-200	4.5"	5.0"	0.146"	5.906"	13 x 1.25"	8	2 pieces	2.0 lbs

- Solid Extruded Brass hinge body with CNC machined decorative cover
- Two Knuckle Lift Off Hinges are specified and priced as eaches.
- All hinges have template screw hole locations for use with either wood or hollow metal doors and frames.
- All pins are machined from high grade 304 Stainless Steel material and are affixed to the bottom leaf.
- All hinges are furnished with solid brass phillips head, type "A" tapping screws.
- #12 machine screws for HIN-199 and HIN-200 available upon request, at additional cost.
- All Two Knuckle Hinges are handed. Be sure to specify hand of hinge when ordering.

## Art Deco - Ball Bearing - Lift Off - Standard Weight

	<i>Handed and Priced as Eaches</i>	Standard	Distressed	ETERNA
HIN-201	3.5" x 4.0" Art Deco Ball Bearing Lift Off Hinge	130.00	143.00	156.00
HIN-202	4.0" x 4.5" Art Deco Ball Bearing Lift Off Hinge	145.00	160.00	175.00
HIN-203	4.5" x 5.0" Art Deco Ball Bearing Lift Off Hinge	160.00	176.00	192.00



### Art Deco - Ball Bearing - Lift Off - Standard Weight

**Hinge Body:** Hinge body is manufactured from CDA alloy 38500 brass. It is machined from an extruded bar, resulting in a hinge with high strength and precision tolerances.

**Knuckle Covers:** Knuckle covers are CNC machined from brass bar stock and affixed to the hinge body with stainless steel concealed screws.

**Ball Bearings:** Each hinge is equipped with one precision machined anti-friction Stainless Steel ball bearing assembly. The two races are machined from 300 series Stainless Steel. The balls are made from through hardened Stainless Steel. The bearing shell is machined from brass of the same alloy as the hinge body to ensure an accurate color match. The construction results in an extremely durable, long life ball bearing which is able to withstand years of hard use and corrosive environments. This bearing greatly increases both the lateral and vertical load bearing capability of the hinge and therefore increases hinge life. They are recommended for doors which receive average frequency use. They are ALWAYS recommended for doors which are equipped with a door closer.

**Finish:** Hinges are individually hand polished assuring an even finish with no unpolished areas. Von Morris extruded hinges are available in over 30 standard finishes. Custom finishing is available. Please refer to the Price List.

**Pins:** Pins are machined from 304 Stainless Steel for high durability and resistance to rust. The exposed end is rounded to facilitate re-assembly, while the other end is permanently affixed to the bottom leaf.

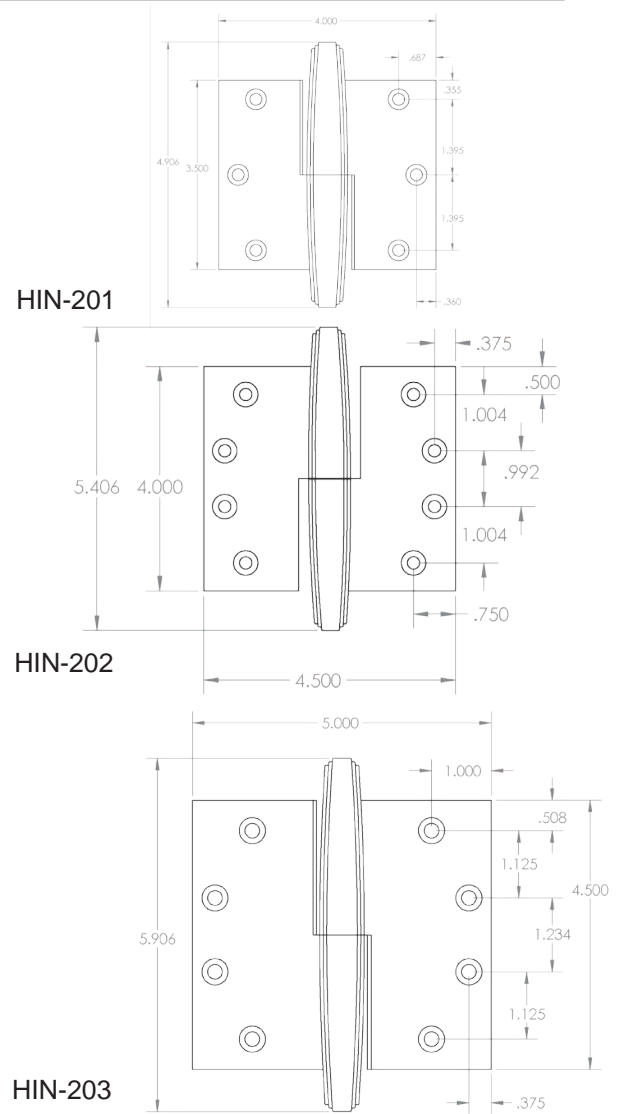
**Fasteners:** All hinges are provided with type "A" tapping screws. These are solid brass, flat head, counter sunk, undercut phillips head screws. All screws are lacquered to prevent tarnishing. Screws are bagged either six per bag or eight per bag to facilitate sales of single hinges. #12 machine screws available upon request.

**Number of Hinges:** For doors up to 89 inches, use three hinges. For each additional 30 inches or fraction thereof, use one additional hinge.

**Packing:** Two hinges per box with screws and button finials. Each hinge is poly bagged to prevent scratching. Hinges are packed 20 boxes per master carton.



## Art Deco • Ball Bearing • Lift Off • Standard Weight



Part Number	Height of Leaf	Width of Hinge	Leaf Thickness	Length of Knuckle	Screw Size	Number of Screws per hinge	Hinges per Box	Weight per Box
HIN-201	3.5"	4.0"	0.130"	4.906"	10 x 1.00"	6	2 pieces	1.3 lbs
HIN-202	4.0"	4.5"	0.134"	5.406"	12 x 1.25"	8	2 pieces	2.2 lbs
HIN-203	4.5"	5.0"	0.146"	5.906"	13 x 1.25"	8	2 pieces	2.0 lbs

- Solid Extruded Brass hinge body with CNC machined decorative cover
- **Two Knuckle Lift Off Hinges are specified and priced as eaches.**
- All hinges have template screw hole locations for use with either wood or hollow metal doors and frames.
- All pins are machined from high grade 304 Stainless Steel material and are affixed to the bottom leaf.
- All hinges are furnished with solid brass phillips head, type "A" tapping screws.
- #12 machine screws for HIN-202 and HIN-203 available upon request, at additional cost.
- **All Two Knuckle Hinges are handed.** Be sure to specify hand of hinge when ordering.



## Art Deco Olive Knuckle - Solid Forged Brass Hinges

<i>Hinges are Handed and Priced as Eaches</i>		Standard	Distressed	ETERNA
16-5032	Art Deco 5.0" x 3.2" Olive Knuckle Hinge	279.34	303.63	337.38
16-6038	Art Deco 6.0" x 3.8" Olive Knuckle Hinge	297.97	323.87	359.86
16-6040	Art Deco 6.0" x 4.0" Olive Knuckle Hinge	333.33	362.32	402.59
16-6045	Art Deco 6.0" x 4.5" Olive Knuckle Hinge	351.34	381.90	424.34
16-6050	Art Deco 6.0" x 5.0" Olive Knuckle Hinge	341.63	402.15	446.82

### Art Deco Olive Knuckle Hinges

**Hinge Body:** Hinge is manufactured of solid forged brass.

**Ball Bearings:** Each hinge is equipped with two precision machined anti-friction bearing assemblies. The ball bearing carries thrust loads along the axis of the pin and consists of two 300 series Stainless Steel races with Stainless Steel balls in a brass shell. A needle bearing carries axial loads perpendicular to the pin. The construction results in an extremely durable, long life hinge which is able to withstand years of hard use and corrosive environments. These bearings greatly increase both the lateral and vertical load bearing capability of the hinge and therefore increase hinge life.

**Finish:** Hinges are individually hand polished assuring an even finish with no unpolished areas. Von Morris Art Deco Olive Knuckle hinges are available in over 30 standard finishes. Custom finishing is available. Please refer to the Price List.

**Pins:** Pins are machined from 300 series Stainless Steel for high durability and resistance to rust. They are permanently installed in one half of the hinge. The exposed end is rounded to facilitate re-assembly.

**Fasteners:** All hinges are provided with type "A" tapping screws. These are solid brass, flat head, counter sunk, undercut phillips head screws. Screws are bagged eight per bag.

**Number of Hinges:** For doors up to 89 inches, use three hinges. For each additional 30 inches or fraction thereof, use one additional hinge.

**Packing:** Two hinges per box with screws. Each hinge is poly bagged to prevent scratching.

**Handing and Specifying:** These hinges are handed. Please be sure to specify hand of hinges when ordering. Olive Knuckle Hinges are priced and sold as eaches.

## Art Deco Olive Knuckle - Concealed Ball Bearing Heavy Weight - Solid Forged Brass Hinges



16-5032  
16-6038  
16-6040  
16-6045  
16-6050

Part Number	Length of Joint	Width Open	Gauge of Metal	Screw Size	Screws Hinge	Packing per Box	Weight per Box	Knuckle Size
16-5032	5.0"	3.250"	0.169"	12 x 1.25"	8	2 pcs	2.20 lbs	2.75"H x 1.00"D
16-6038	6.0"	3.875"	0.203"	12 x 1.25"	8	2 pcs	2.65 lbs	2.75"H x 1.00"D
16-6040	6.0"	4.0"	0.255"	12 x 1.25"	8	2 pcs	3.00 lbs	2.75"H x 1.00"D
16-6045	6.0"	4.5"	0.255"	12 x 1.25"	8	2 pcs	3.05 lbs	2.75"H x 1.00"D
16-6050	6.0"	5.0"	0.255"	12 x 1.25"	8	2 pcs	3.15 lbs	2.75"H x 1.00"D

- **Art Deco Olive Knuckle Hinges are priced and sold as eaches.**
- Concealed Stainless Steel Bearing.
- Solid Forged Brass.
- Equipped with one concealed, precision machined, anti-friction bearing assembly per hinge.
- Ball Bearings are machined from 300 series Stainless Steel and employ Stainless Steel balls.
- All pins are precision machined from 300 series Stainless Steel.
- **All Art Deco Olive Knuckle hinges are handed.** Be sure to specify hand of hinge when ordering.
- Stocked in 605, 606, 618, 619, 625 and 626. Other finishes available.
- See website, [www.vonmorris.com](http://www.vonmorris.com) for Details on Sizes and Installation



## Ribbon & Reed Olive Knuckle - Solid Forged Brass Hinges

	<i>Hinges are Handed and Priced as Eaches</i>	Standard
17-5032	Ribbon & Reed 5.0" x 3.2" Olive Knuckle Hinge	529.20
17-6038	Ribbon & Reed 6.0" x 3.8" Olive Knuckle Hinge	564.48
17-6040	Ribbon & Reed 6.0" x 4.0" Olive Knuckle Hinge	630.34
17-6045	Ribbon & Reed 6.0" x 4.5" Olive Knuckle Hinge	665.62
17-6050	Ribbon & Reed 6.0" x 5.0" Olive Knuckle Hinge	700.90

### Ribbon & Reed Olive Knuckle Hinges

**Hinge Body:** Hinge is manufactured of solid forged brass.

**Ball Bearings:** Each hinge is equipped with two precision machined anti-friction bearing assemblies. The ball bearing carries thrust loads along the axis of the pin and consists of two 300 series Stainless Steel races with Stainless Steel balls in a brass shell. A needle bearing carries axial loads perpendicular to the pin. The construction results in an extremely durable, long life hinge which is able to withstand years of hard use and corrosive environments. These bearings greatly increase both the lateral and vertical load bearing capability of the hinge and therefore increase hinge life.

**Finish:** Hinges are individually hand polished assuring an even finish with no unpolished areas. Von Morris Ribbon & Reed Olive Knuckle hinges are available in over 30 standard finishes. Custom finishing is available. Please refer to the Price List.

**Pins:** Pins are machined from 300 series Stainless Steel for high durability and resistance to rust. They are permanently installed in one half of the hinge. The exposed end is rounded to facilitate re-assembly.

**Fasteners:** All hinges are provided with type "A" tapping screws. These are solid brass, flat head, counter sunk, undercut phillips head screws. Screws are bagged eight per bag.

**Number of Hinges:** For doors up to 89 inches, use three hinges. For each additional 30 inches or fraction thereof, use one additional hinge.

**Packing:** Two hinges per box with screws. Each hinge is poly bagged to prevent scratching.

**Handing and Specifying:** These hinges are handed. Please be sure to specify hand of hinges when ordering. Olive Knuckle Hinges are priced and sold as eaches.

## Ribbon & Reed Olive Knuckle - Concealed Ball Bearing Standard and Heavy Weight - Solid Forged Brass Hinges



Side View

17-5032  
17-6038  
17-6040  
17-6045  
17-6050

Part Number	Length of Joint	Width Open	Gauge of Metal	Screw Size	Screws Hinge	Packing per Box	Weight per Box	Knuckle Size
17-5032	5.0"	3.250"	0.169"	12 x 1.25"	8	2 pcs	2.05 lbs	2.75"H x 1.20"D
17-6038	6.0"	3.875"	0.203"	12 x 1.25"	8	2 pcs	2.45 lbs	2.75"H x 1.20"D
17-6040	6.0"	4.0"	0.255"	12 x 1.25"	8	2 pcs	2.65 lbs	2.75"H x 1.20"D
17-6045	6.0"	4.5"	0.255"	12 x 1.25"	8	2 pcs	2.90 lbs	2.75"H x 1.20"D
17-6050	6.0"	5.0"	0.255"	12 x 1.25"	8	2 pcs	3.00 lbs	2.75"H x 1.20"D

- **Ribbon & Reed Olive Knuckle Hinges are priced and sold as eaches.**
- Concealed Stainless Steel Bearing.
- Forged Brass Arm.
- Lost Wax Cast Knuckle
- Equipped with one concealed, precision machined, anti-friction bearing assembly per hinge.
- Ball Bearings are machined from 300 series Stainless Steel and employ Stainless Steel balls.
- All pins are precision machined from 300 series Stainless Steel.
- See website, [www.vonmorris.com](http://www.vonmorris.com) for Details on Sizes and Installation
- **All Ribbon & Reed Olive Knuckle hinges are handed.** Be sure to specify hand of hinge when ordering.



## Paumelle Hinge - Heavy Weight - Solid Forged Brass Hinges

<i>Hinges are Handed and Priced as Eaches</i>		Standard	Distressed	ETERNA
18-4535	Paumelle 4.5" x 3.5" Paumelle Hinge	229.92	266.71	275.91
18-5045	Paumelle 5.0" x 4.5" Paumelle Hinge	259.32	300.81	311.17
18-6045	Paumelle 6.0" x 4.5" Paumelle Hinge	297.77	345.41	357.32

### Paumelle Hinge - Heavy Weight - Solid Forged Brass

**Hinge Body:** Hinge body is manufactured of solid forged brass.

**Bearings:** Each hinge is equipped with two precision machined anti-friction bearing assemblies. The ball bearing carries thrust loads along the axis of the pin and consists of two 300 series Stainless Steel races with Stainless Steel balls in a brass shell. A needle bearing carries axial loads perpendicular to the pin. The construction results in an extremely durable, long life hinge which is able to withstand years of hard use and corrosive environments. These bearings greatly increase both the lateral and vertical load bearing capability of the hinge and therefore increase hinge life.

**Finish:** Hinges are individually hand polished assuring an even finish with no unpolished areas. Von Morris Paumelle hinges are available in over 30 standard finishes. Custom finishing is available. Please refer to the Price List.

**Pins:** Pins are machined from 300 series Stainless Steel for high durability and resistance to rust. They are permanently installed in one half of the hinge. The exposed end is rounded to facilitate re-assembly.

**Fasteners:** All hinges are provided with type "A" tapping screws. These are solid brass, flat head, counter sunk, undercut phillips head screws. Screws are bagged eight per bag.

**Number of Hinges:** For doors up to 89 inches, use three hinges. For each additional 30 inches or fraction thereof, use one additional hinge.

**Packing:** Two hinges per box with screws. Each hinge is poly bagged to prevent scratching.

**Handing and Specifying:** These hinges are handed. Please be sure to specify hand of hinges when ordering. Paumelle Hinges are priced and sold as eaches.

## Paumelle - Concealed Ball Bearing - Heavy Weight Solid Forged Brass Hinges



18-4535  
18-5045  
18-6045

Part Number	Length of Joint	Width Open	Gauge of Metal	Screw Size	Screws Hinge	Packing per Box	Weight per Box	Knuckle Size
18-4535	4.5"	3.5"	0.203"	12 x 1.50"	8	2 pcs	2.45 lbs	2.66"H x 1.10"D
18-5045	5.0"	4.5"	0.205"	14 x 1.25"	8	2 pcs	3.00 lbs	2.66"H x 1.10"D
18-6045	6.0"	4.5"	0.225"	14 x 1.25"	8	2 pcs	3.30 lbs	2.66"H x 1.10"D

- Paumelle Hinges are priced and sold as eaches.
- Equipped with two fully concealed, precision machined, anti-friction bearing assemblies per hinge, one Ball Thrust Bearing and one Needle Axial Bearing.
- Ball bearings are machined from 300 series Stainless Steel and employ Stainless Steel balls.
- All pins are precision machined from 300 series Stainless Steel.
- All Paumelle hinges are handed. Be sure to specify hand of hinge when ordering.



## Solid Forged Brass - Olive Knuckle - Cabinet Hinge

<i>Hinges are Handed and Priced as Eaches</i>		Standard	Distressed	ETERNA
19-2015	2.0" x 1.5" Olive Knuckle Cabinet Hinge	64.68	77.62	89.38
19-2520	2.5" x 2.0" Olive Knuckle Cabinet Hinge	77.62	97.02	104.66
19-3025	3.0" x 2.5" Olive Knuckle Cabinet Hinge	116.42	155.26	164.64



## Olive Knuckle Cabinet Pin Cover

<i>Priced as Eaches</i>		Standard	Distressed	ETERNA
19-3000	Olive Knuckle Cabinet Pin Cover for 19-3025	29.11	36.23	43.51

### Solid Forged Brass - Olive Knuckle - Cabinet Hinge

**Hinge Body:** Hinge body is manufactured of solid brass.

**Ball Bearings:** Hinges so equipped have one precision machined anti-friction ball bearing assembly. The two races are machined from 300 series Stainless Steel. The balls are Stainless Steel as well. The bearing shell is machined from brass of the same alloy as the hinge body to ensure an accurate color match. The construction results in an extremely durable, long life ball bearing which is able to withstand years of hard use and corrosive environments. These bearings greatly increase both the lateral and vertical load bearing capability of the hinge and therefore increase hinge life.

**Finish:** Hinges are individually hand polished assuring an even finish with no unpolished areas. Von Morris Olive Knuckle hinges are available in over 30 standard finishes. Custom finishing is available upon request.

**Pins:** Pins are machined from 300 Stainless Steel for high durability and resistance to rust. They are permanently installed in one half of the hinge. The exposed end is rounded to facilitate re-assembly.

**Fasteners:** All hinges are provided with type "A" tapping screws. These are solid brass, flat head, counter sunk, undercut phillips head screws. All screws are lacquered to prevent tarnishing. Screws are bagged six per bag.

**Packing:** Five hinges per box with screws. Each hinge is poly bagged to prevent scratching.

**Handing and Specifying:** These hinges are handed. Please be sure to specify hand of hinges when ordering. Olive Knuckle Hinges are priced and sold as eaches.



## Olive Knuckle - Ball Bearing Solid Forged Brass - Cabinet Hinge



19-2015  
19-2520  
19-3025

Part Number	Length of Joint	Width Open	Gauge of Metal	Screw Size	Screws Hinge	Packing per Box	Weight per Box	Knuckle Size
19-2015	2.0"	1.5"	0.093"	6 x 0.75"	6	5 pcs	0.48 lbs	1.12"H x 0.39"D
19-2520	2.5"	2.0"	0.093"	6 x 0.75"	6	5 pcs	0.78 lbs	1.49"H x 0.50"D
19-3025	3.0"	2.5"	0.093"	6 x 1.00"	6	5 pcs	1.00 lbs	1.62"H x 0.50"D

- **Olive Knuckle Hinges are priced and sold as eaches.**
- Hinges Number 19-2015 and 19-2520 are equipped with one brass bushing each.
- Hinge 19-3025 is equipped with one precision machined ball bearing assembly.
- Ball bearings are machined from 300 series Stainless Steel and employ Stainless Steel balls.
- All pins are machined from 300 series Stainless Steel.
- **All Olive Knuckle Hinges are handed.** Be sure to specify hand of hinge when ordering.

## Solid Brass Olive Knuckle Pin Cover



19-3000

- Olive Knuckle Pin Cover



## Moorestown - Olive Knuckle - Cabinet Hinge

<i>Hinges are Handed and Priced as Eaches</i>		Standard	Distressed	ETERNA
20-2015	2.0" x 1.5" Olive Knuckle Cabinet Hinge	80.85	97.02	111.72
20-2520	2.5" x 2.0" Olive Knuckle Cabinet Hinge	97.02	121.28	130.83
20-3025	3.0" x 2.5" Olive Knuckle Cabinet Hinge	145.53	194.08	205.80

### Solid Forged Brass - Olive Knuckle - Cabinet Hinge

**Hinge Body:** Hinge body is manufactured of solid brass.

**Ball Bearings:** Hinges so equipped have one precision machined anti-friction ball bearing assembly. The two races are machined from 300 series Stainless Steel. The balls are Stainless Steel as well. The bearing shell is machined from brass of the same alloy as the hinge body to ensure an accurate color match. The construction results in an extremely durable, long life ball bearing which is able to withstand years of hard use and corrosive environments. These bearings greatly increase both the lateral and vertical load bearing capability of the hinge and therefore increase hinge life.

**Finish:** Hinges are individually hand polished assuring an even finish with no unpolished areas. Von Morris Olive Knuckle hinges are available in over 30 standard finishes. Custom finishing is available upon request.

**Pins:** Pins are machined from 300 Stainless Steel for high durability and resistance to rust. They are permanently installed in one half of the hinge. The exposed end is rounded to facilitate re-assembly.

**Fasteners:** All hinges are provided with type "A" tapping screws. These are solid brass, flat head, counter sunk, undercut phillips head screws. All screws are lacquered to prevent tarnishing. Screws are bagged six per bag.

**Packing:** Five hinges per box with screws. Each hinge is poly bagged to prevent scratching.

**Handing and Specifying:** These hinges are handed. Please be sure to specify hand of hinges when ordering. Olive Knuckle Hinges are priced and sold as eaches.

## Moorestown Olive Knuckle - Ball Bearing Solid Forged Brass - Cabinet Hinge



20-2015  
20-2520  
20-3025

Part Number	Length of Joint	Width Open	Gauge of Metal	Screw Size	Screws Hinge	Packing per Box	Weight per Box	Knuckle Size
20-2015	2.0"	1.5"	0.093"	6 x 0.75"	6	5 pcs	0.48 lbs	1.12"H x 0.39"D
20-2520	2.5"	2.0"	0.093"	6 x 0.75"	6	5 pcs	0.78 lbs	1.49"H x 0.50"D
20-3025	3.0"	2.5"	0.093"	8 x 0.75"	6	5 pcs	1.00 lbs	1.62"H x 0.50"D

- **Olive Knuckle Hinges are priced and sold as eaches.**
- Hinges Number 20-2015 and 20-2520 are equipped with one brass bushing each.
- Hinge 20-3025 is equipped with one precision machined ball bearing assembly.
- Ball bearings are machined from 300 series Stainless Steel and employ Stainless Steel balls.
- All pins are machined from 300 series Stainless Steel.
- **All Olive Knuckle Hinges are handed.** Be sure to specify hand of hinge when ordering.



# HINGES



## Replacement Screws

	<i>Sold in Packs of 100 - Priced net/100</i>	Standard	Distressed	ETERNA
#6	Number 6 Replacement Screws	23.18	24.34	36.22
#8	Number 8 Replacement Screws	23.18	24.34	36.22
#10	Number 10 Replacement Screws	34.75	44.63	47.82
#12	Number 12 Replacement Screws	40.57	44.63	50.71
#12 MACH	Number 12 Machine Replacement Screws	40.57	44.63	50.71